

# Specifications for Approval

Customer Part No.:

JOINHANDS Part No.:JH-CROGK06GTP009

Part Name: 1615 ROG LED

Spec Issue Date:2019-01-09

Revision No.: A0

=====

To Customer:

1. Accessory: Samples  Samples Data
2. Customer's Proposal :Agree Disagree

Reason :

Draw by :	Checked by :	Approved by :
李飞	卢伟昌	钟志鸿
Customer Approve		



广东晶瀚光电科技有限公司  
GUANGDONG JOINHANDS Optoelectronics Technology Co.,Ltd  
地址:东莞市寮步镇塘边社区华南工业城金富路 13 号  
鼎昊自动化孵化园 2 区 B 栋 101 号  
Tel:0769-82233086 Fax:0769-82233606  
<http://www.joinhands-cn.com>  
E-mail: hanser.yu@joinhands-cn.com

## Features

1.6mm X 1.5mm SMD LED, 0.6mm thickness

Low power consumption

Wide view angle

Package: 4000pcs/reel

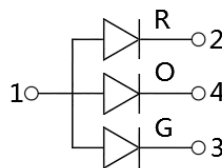
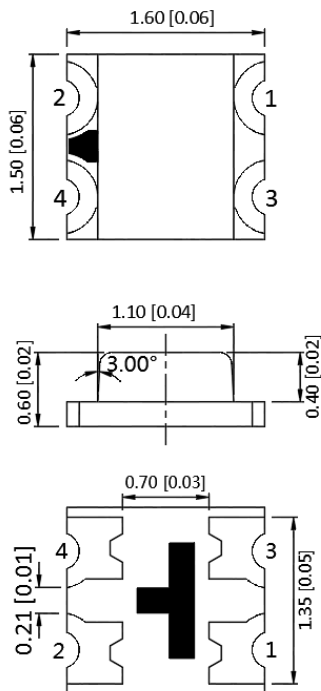
RoHS Compliant

## Applications

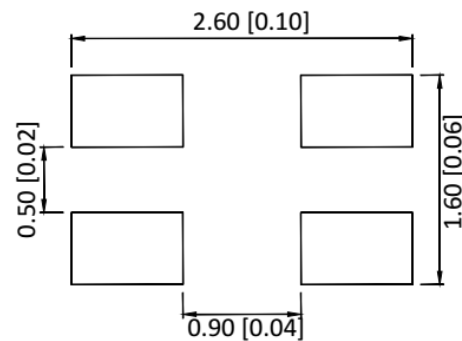
Ideal for back light and indicator

Various colors and lens types available

## Package outlines



## Recommend Pad Layout



Part No.	Emitted color	Dice	Lens color
JH-CROGK06GTP009	Red	AlGaInP	Water transparent
	Orange	AlGaInP	
	Green	InGaN/GaN	

### Notes:

1. All dimensions are in millimeters (inches);
2. Tolerances are  $\pm 0.1\text{mm}$  (0.004inch) unless otherwise noted.

**Absolute Maximum Ratings (Ta=25 °C)**

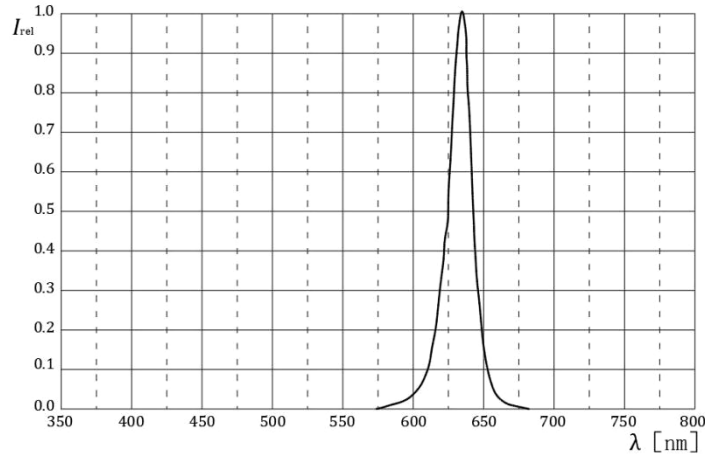
Parameter	Symbol	Value			Unit
		R	O	G	
Forward current	If	30			mA
Reverse voltage	Vr	5			V
Power dissipation	Pd	72	72	111	mW
Operating temperature	Top	-40 ~+85			°C
ESD(Human-body mode)	--	4	4	2	KV
Storage temperature	Tstg	-40 ~+85			°C
Peak pulsing current (1/8 duty f=1kHz)	Ifp	125			mA

**Electro-Optical Characteristics (Ta=25 °C)**

Parameter	Test Condition	Symbol	Value			Unit
			Min	Typ	Max	
Wavelength at peak emission	If=20mA	R	--	630	--	nm
		O	--	610	--	
		G	--	515	--	
Spectral half bandwidth	If=20mA	R	--	18	--	nm
		O	--	18	--	
		G	--	38	--	
Dominant wavelength	If=20mA	R	620	--	630	nm
		O	600		610	
		G	520		530	
Forward voltage	If=20mA	R	1.8	--	2.4	V
		O	1.8		2.4	
		G	2.8		3.7	
Luminous intensity	If=20mA	R	125	180	320	mcd
		O	100	190	250	
		G	500	650	1000	
Viewing angle at 50% Iv	If=10mA	2θ1/2	--	120	--	Deg
Reverse current	Vr=5V	Ir	--	--	10	μA

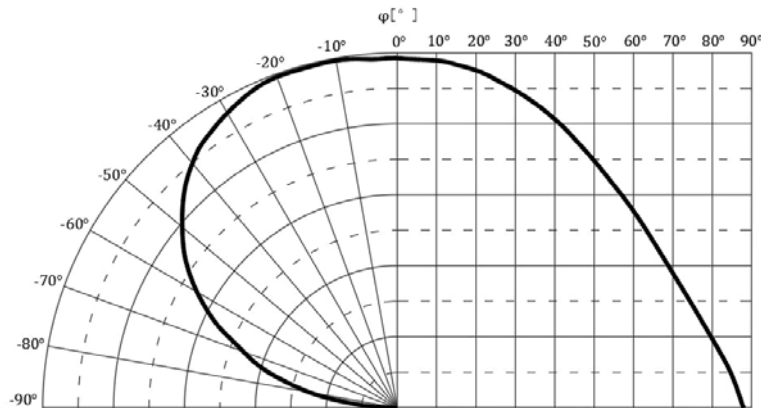
**Relative Spectral Emission (Red)**

IF=20mA, Ta=25°C



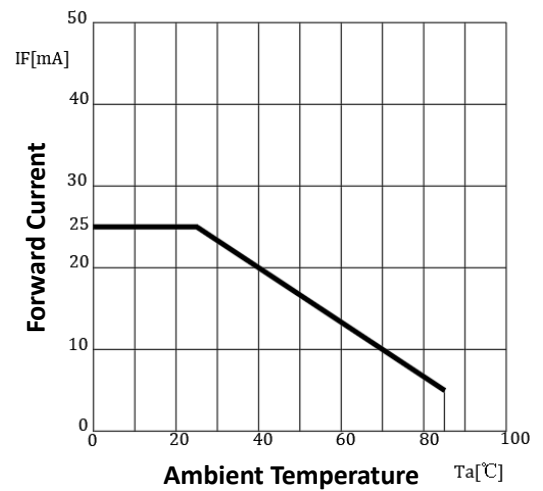
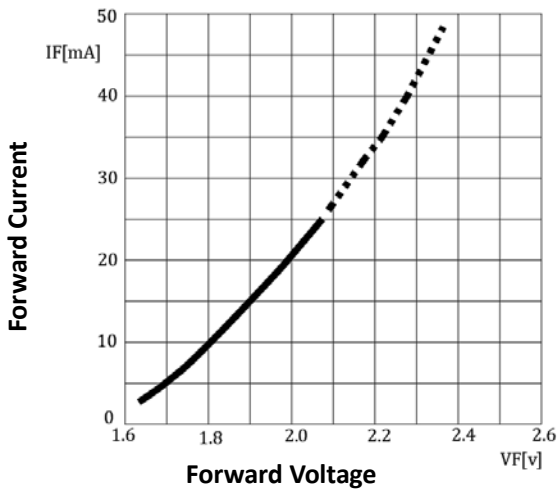
**Radiation Characteristics**

IF=10mA, Ta=25°C



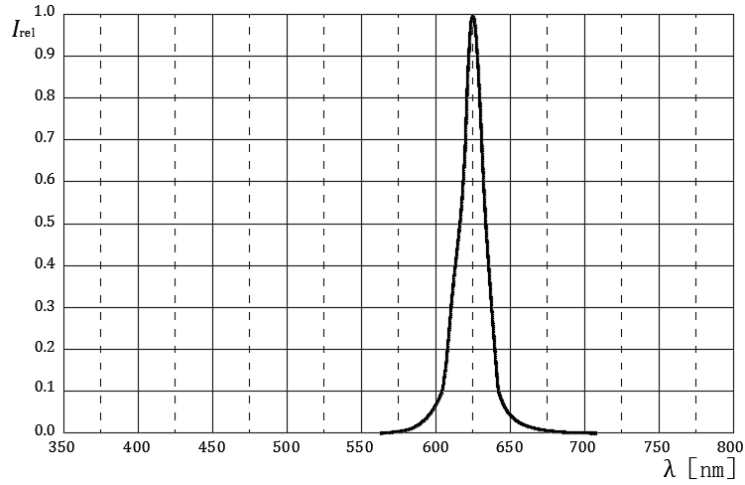
**Forward Current vs Forward Voltage Forward Current Derating Curve**

Ta=25°C



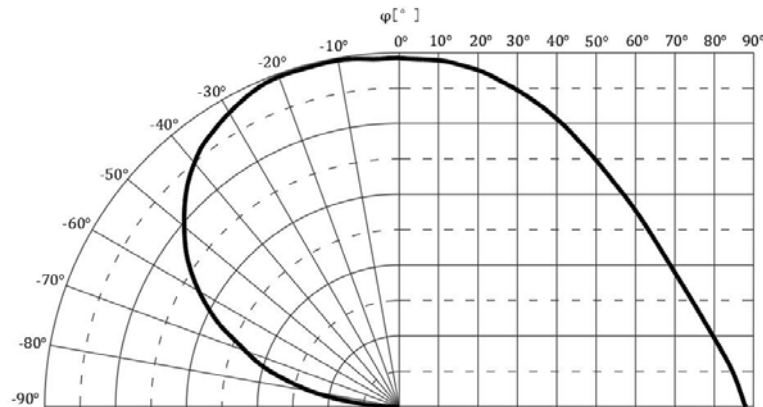
**Relative Spectral Emission (Orange)**

IF=20mA, Ta=25°C



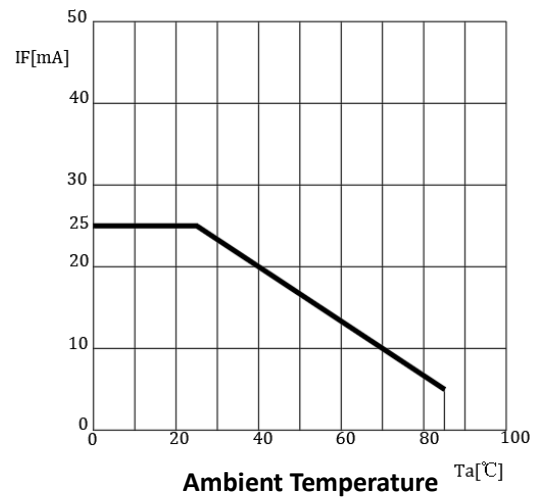
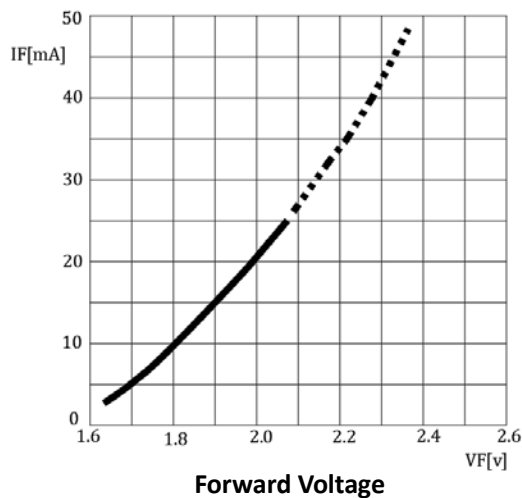
**Radiation Characteristics**

IF=10mA, Ta=25°C



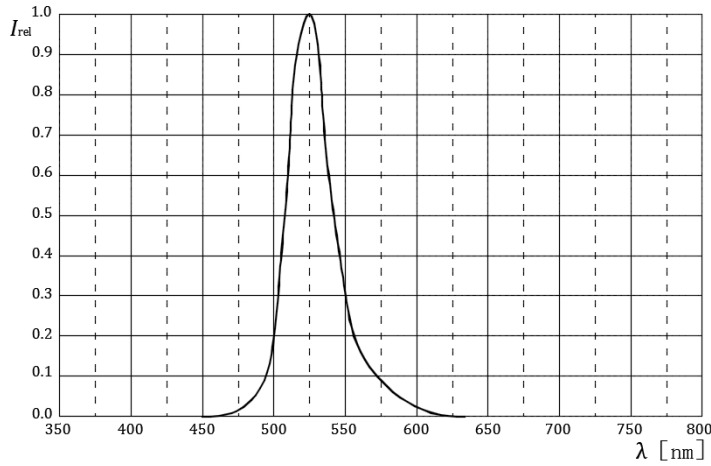
**Forward Current vs Forward Voltage Forward Current Derating Curve**

Ta=25°C



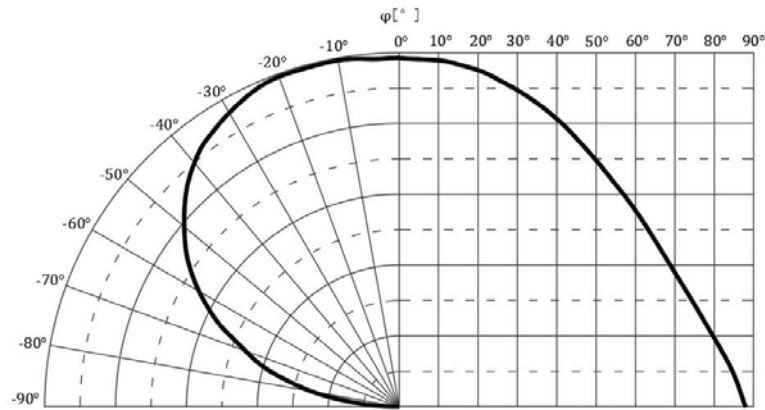
**Relative Spectral Emission (Green)**

IF=20mA, Ta=25°C



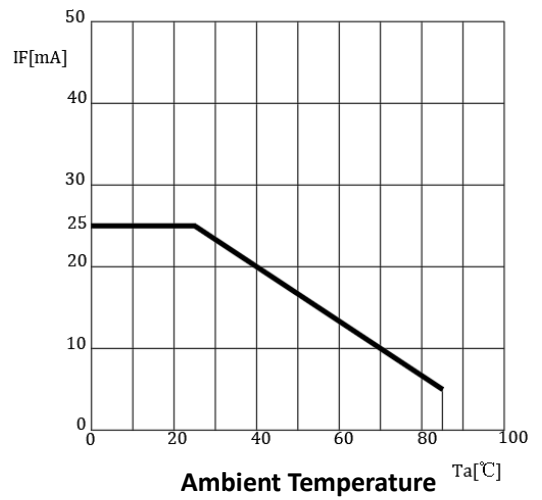
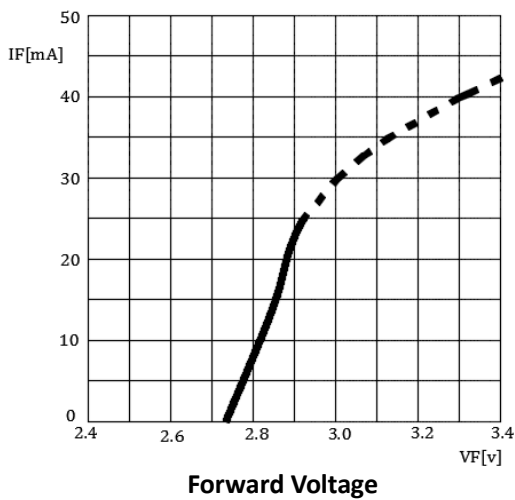
**Radiation Characteristics**

IF=10mA, Ta=25°C



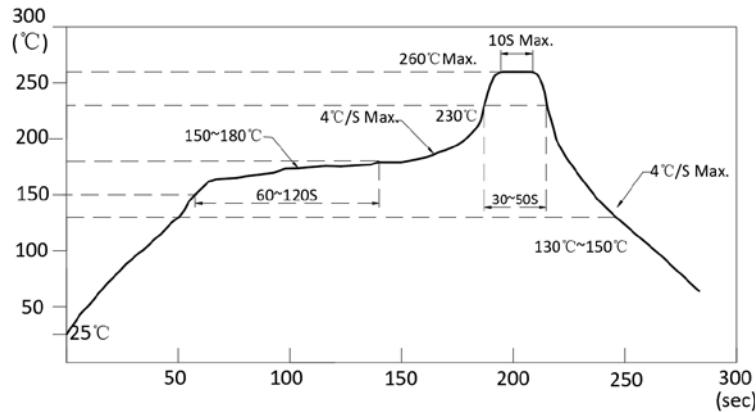
**Forward Current vs Forward Voltage Forward Current Derating Curve**

Ta=25°C



**Reflow Profile**

■ Reflow Temp/Time



Notes:

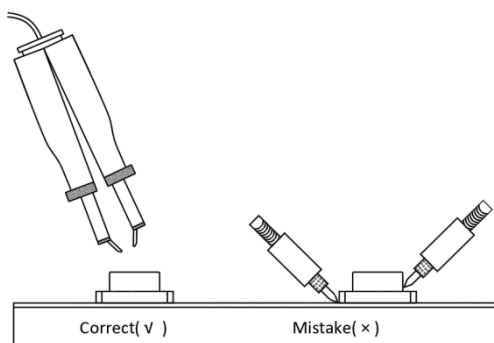
1. We recommend the reflow temperature 245°C(±5°C).The maximum soldering temperature should be limited to 260°C.
2. Don't cause stress to the epoxy resin while it is exposed to high temperature.
3. Number of reflow process shall be 2 times or less.

■ Soldering iron

Basic spec is ≤ 5sec when 320°C(±20°C). If temperature is higher, time should be shorter(+10°C → -1sec). Powerdissipation of iron should be smaller than 20W, and temperatures should be controllable. Surface temperature of the device should be under 350°C.

■ Rework

1. Customer must finish rework within 5 sec under 340°C.
2. The head of iron cannot touch copper foil
3. Twin-head type is preferred.

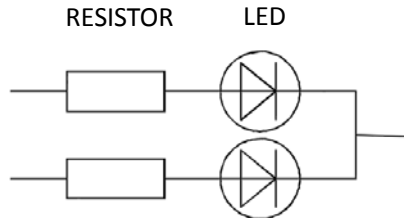


- Avoid rubbing or scraping the resin by any object, during high temperature, for example reflow solder etc.

**Handling precautions**

1. Drive Method

A LED is a current-operated device. In order to ensure intensity uniformity on multiple LEDs connected in parallel in an application, it is recommended that a current limiting resistor be incorporated in the drive circuit, in series with each LED as shown in Circuit below.



2. Storage

- 2.1 Do not open moisture proof bag before the products are ready to use.
- 2.2 Before opening the package: The LEDs should be kept at 30°C or less and 60% RH or less.
- 2.3 After the package is opened, the products should be used within a week or they should be kept to store at  $\leq 20^{\circ}\text{C}$  with zip

3. Baking

It is recommended to baking before soldering when the pack is unsealed after 72hrs. The Conditions are as followings:

- 3.1  $60\pm 3^{\circ}\text{C}$  x(12~24hrs) and  $< 5\% \text{RH}$ , taped reel type
- 3.2  $100\pm 3^{\circ}\text{C}$  x(45min~1hr), bulk type
- 3.3  $130\pm 3^{\circ}\text{C}$  x(15~30min), bulk type



## Test Items and Results of Reliability

Test Item	Test Conditions	Standard Test Method	Note	Number of Test
Reflow Soldering	Ta=260±5℃,Time=10±2S	JB/T 10845-2008	3times	0/22
Salt Atmosphere	Ta=35±3℃,PH=6.5~7.2	GB/T 2423.17-2008	24hrs	0/22
Temperature Cycling	-40±5℃ 30±1min ↑→(25℃/5±1min)↓ 100±5℃ 30±1min	GB/T 2423.22-2012	100cycles	0/22
Thermal Shock	Ta=-40±5℃~100±5℃, 15±1min dwell	GB/T 2423.22-2012	100cycles	0/22
High Humidity High Temp. Cycling	Ta=30±5℃~65±5℃, 90±5%RH,24hrs/1cycle	GB/T 2423.4-2008	10cycles	0/22
High Humidity High Temp. Storage Life	Ta=85±5℃,ψ(%)=85±5%RH	GB/T 2423.3-2006	1000hrs	0/22
High Temperature Storage Life	Ta=100±5℃,non-operating	GB/T 2423.2-2008	1000hrs	0/22
Low Temperature Storage Life	Ta=-40±5℃,non-operating	GB/T 2423.1-2008	1000hrs	0/22
Life Test	Ta=26±5℃,@20mA, ψ(%)=25%RH~55%RH	--	1000hrs	0/22
High Humidity High Temp. Operating Life	Ta=85±5℃,@20mA, ψ(%)=85%RH	GB/T 2423.3-2006	500hrs	0/22
Low Temperature Operating Life	Ta=-20±5℃,@20mA	GB/T 2423.1-2008	1000hrs	0/22

### Forward Voltage Rank Combination (IF=20mA)

Rank		Min.	Max.	Unit
Red	□	1.8	2.4	V
Orange	□	1.8	2.4	
Green	F	2.8	3.1	
	G	3.1	3.4	
	H	3.4	3.7	

### Luminous Intensity Rank Combination (IF=20mA)

Rank		Min.	Max.	Unit
Red	K	125	160	mcd
	L	160	200	
	M	200	250	
	N	250	320	
Orange	J	100	125	
	K	125	160	
	L	160	200	
	M	200	250	
Green	Q	500	630	
	R	630	800	
	S	800	1000	

### Dominant wavelength Rank Combination(IF=20mA)

Rank		Min.	Max.	Unit
Red	t	620	625	nm
	u	625	630	
Orange	p	600	605	
	q	605	610	
Green	U	520	522.5	
	V	522.5	525	
	W	525	527.5	
	X	527.5	530	

### Group Name on Label ( Example DATA: □Lt □LpfRV 20 )

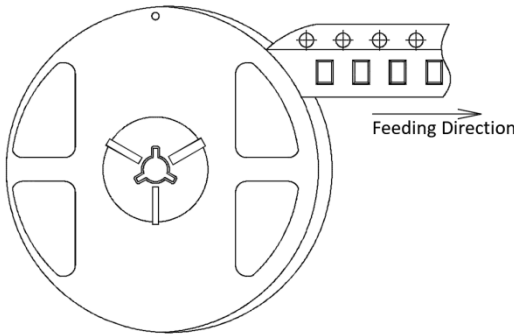
DATA: □Lt □LpfRV20		Vf(V)	Iv (mcd)	λd (nm)	Test Condition
Red	□→L→t→20	1.8~2.4	160~200	620~625	IF=20mA
Orange	□→L→p→20	1.8~2.4	160~200	600~605	
Green	f→R→V→20	2.8~3.1	630~800	522.5~525	

#### Notes:

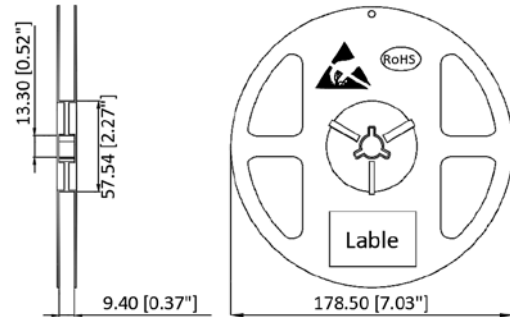
1. The tolerance of luminous intensity (Iv )is ±15 % .
2. The tolerance of dominant wavelength is ±1nm.
3. This specification is preliminary.
4. This specification is a standard specification of our factory, can make in accordance with customer's special requirement.

**1615 Series SMD Chip LED Lamps Packaging Specifications**

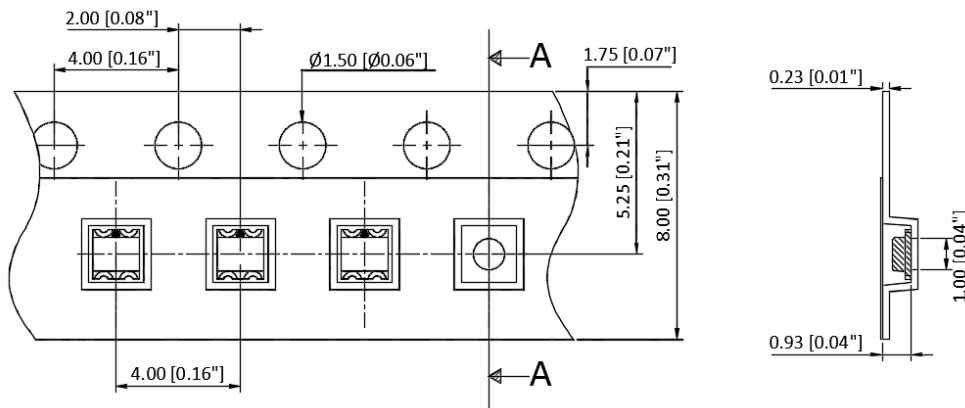
● **Feeding Direction**



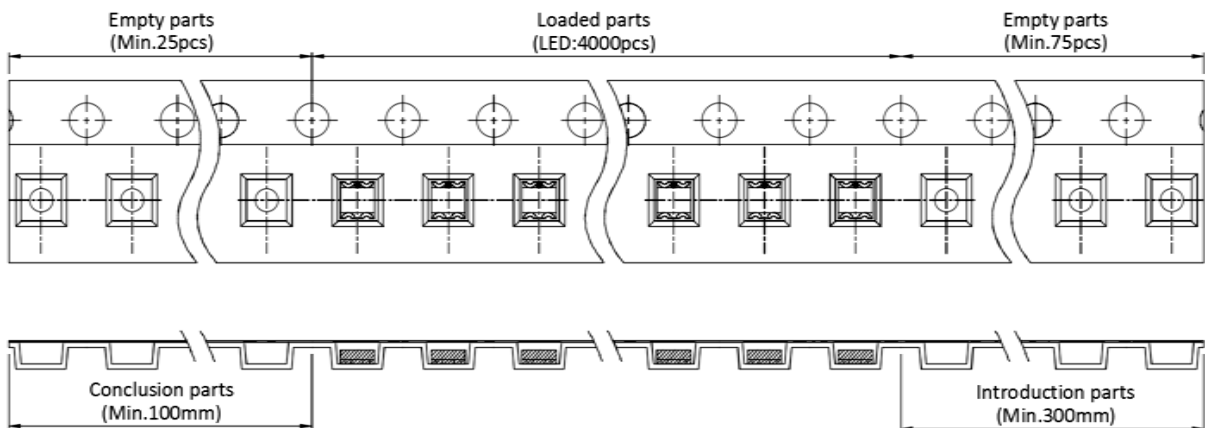
● **Dimensions of Reel (Unit: mm)**



● **Dimensions of Tape (Unit: mm)**



● **Arrangement of Tape**



**Notes:**

1. Empty component pockets are sealed with top cover tape;
2. The maximum number of missing lamps is two;
3. The cathode is oriented towards the tape sprocket hole in accordance with ANSI/EIA RS-481 specifications.
4. 4,000pcs/Reel.

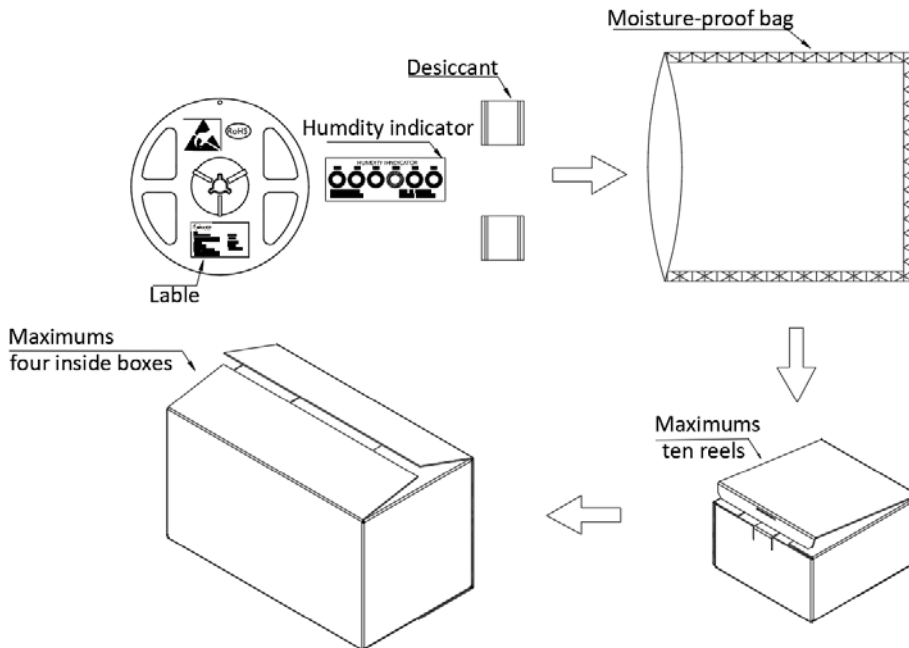
## 1615 Series SMD Chip LED Lamps Packaging Specifications

- Label Explanation



CPN:Customer's Product Number  
P/N:Product Number  
QTY:Packing Quantity  
LOT NO:Lot Number  
VF:Forward Voltage Rank  
IV:Luminous Intensity Rank  
WLD:Dom. Wavelength Rank  
BIN:BIN Code  
DATE:Date Of Dispatch

- Transportation Packing



Notes:

Reeled products (numbers of products are 4,000pcs) packed in a seal off moisture-proof bag along with two desiccant one by one, ten moisture-proof bag of maximums packed in an inside box (about size: 240x 220x 120mm) and four inside boxes of maximums are put in the outside box (about size: 460mm x 246mm x 250mm) Together with buffer material, and it is packed. The number of the loading steps of outsidebox (cardboard box) has it to three steps.